



**THE DISPLAY CHOICE
OF PROFESSIONALS™**

www.agneovo.com

DF-55 Dual-Sided Display
User Manual

Table of contents

• Important Safety Instructions	1
– Safety precautions and maintenance.....	1
– Use.....	4
– Installation Notes.....	6
• Package Content	8
– Unpacking.....	8
– Accessories.....	10
– DF-55 Option Accessories.....	11
– Overview.....	12
• Setting Up the Display	14
– Step1 : Tear down the downside covers.....	14
– Step2 : Place the upside part into downside part.....	15
– Step3 : Connect the LVDS and 24V.....	16
– Step4 : Reinstall the downside covers.....	17
– Step5 : Open the user door, Connect by HDMI connector.....	18
– DF-55 Full Size Stand installation.....	19
– Using the Remote Control.....	21
– OSD Setting Menu.....	22
• Trouble shooting	26
• Specifications	27
• Product Dimensions	28

Important Safety Instructions

Safety precautions and maintenance



WARNING: Use of control, adjustments or procedures other than those specified in this documentation may result in exposure to shock, electrical hazards and/or mechanical hazards.

Read and follow these instructions when connecting and using your display:

Operation:

- Keep the display out of direct sunlight and away from stoves or any other heat sources.
- Remove any object that could fall into ventilation holes of power box or prevent proper cooling of the display's electronics.
- Don't block the ventilation holes on the power box.
- When positioning the display, make sure the power plug and outlet are easily accessible.
- When turning off the display by detaching the power cord, wait 6 seconds before re-attaching the power cord for normal operation.
- Ensure the use of an approved power cord provided by AG Neovo at all times. If your power cord is missing, please contact your local service center.
- Don't subject the display to severe vibration or high impact conditions during operation.
- Don't knock or drop the display during operation or transportation.
- Provide an earthing connection before the mains plug is connected to the mains. And, when disconnecting the earthing connection, be sure to disconnect after pulling out the mains plug from the mains.

Safety precautions and maintenance

Maintenance:

- To protect your display from possible damage, do not put excessive pressure on the display.
- Unplug the display if you are not going to use it for an extensive period of time.
- Unplug the display if you need to clean it with a slightly damp cloth. The screen may be wiped with a dry cloth when the power is off. However, never use organic solvent, such as, alcohol, or ammonia-based liquids to clean your display.
- To avoid the risk of shock or permanent damage to the set, do not expose the display to dust, rain, water or an excessively moist environment.
- If your display becomes wet, wipe it with dry cloth as soon as possible.
- If a foreign substance or water gets in your display, turn the power off immediately and disconnect the power cord. Then remove the foreign substance or water.
- Don't store or use the display in locations exposed to heat, direct sunlight or extreme cold.

Safety precautions and maintenance

Read and follow these instructions when connecting and using your display:

- Unplug the display if you are not going to use it for an extensive period of time.
- Unplug the display if you need to clean it with a slightly damp cloth. The screen may be wiped with a dry cloth when the power is off. However, never use alcohol, solvents or ammonia-based liquids.
- Consult a service technician if the display does not operate normally after having followed the instructions in this manual.
- Keep the display out of direct sunlight and away from stoves or any other heat sources.
- Remove any object that could fall into the vents or prevent proper cooling of the display's electronics.
- Don't block the ventilation holes on the power box.
- Keep the display dry. To avoid electric shock, do not expose it to rain or excessive moisture.
- When turning off the display by detaching the power cable or DC power cord, wait for 6 seconds before re-attaching the power cable or DC power cord for normal operation.
- To avoid the risk of shock or permanent damage to the set do not expose the display to rain or excessive moisture.
- When positioning the display, make sure the power plug and outlet are easily accessible.

Use

Remote Controller Precautions :

- This product requires remote switch (ON/OFF) from Front Side ; the Back Side only has OSD function operated by remote controller.

Front Side



Back Side



The Front Side have a user door.

Use

Disconnect devices:

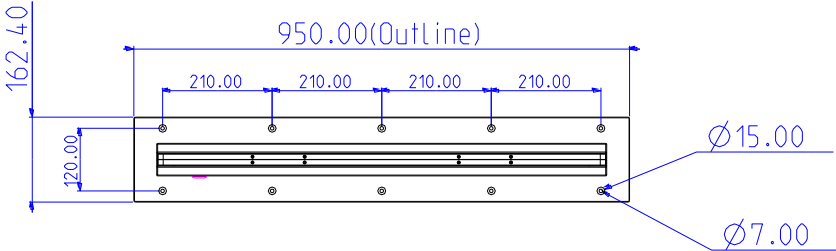
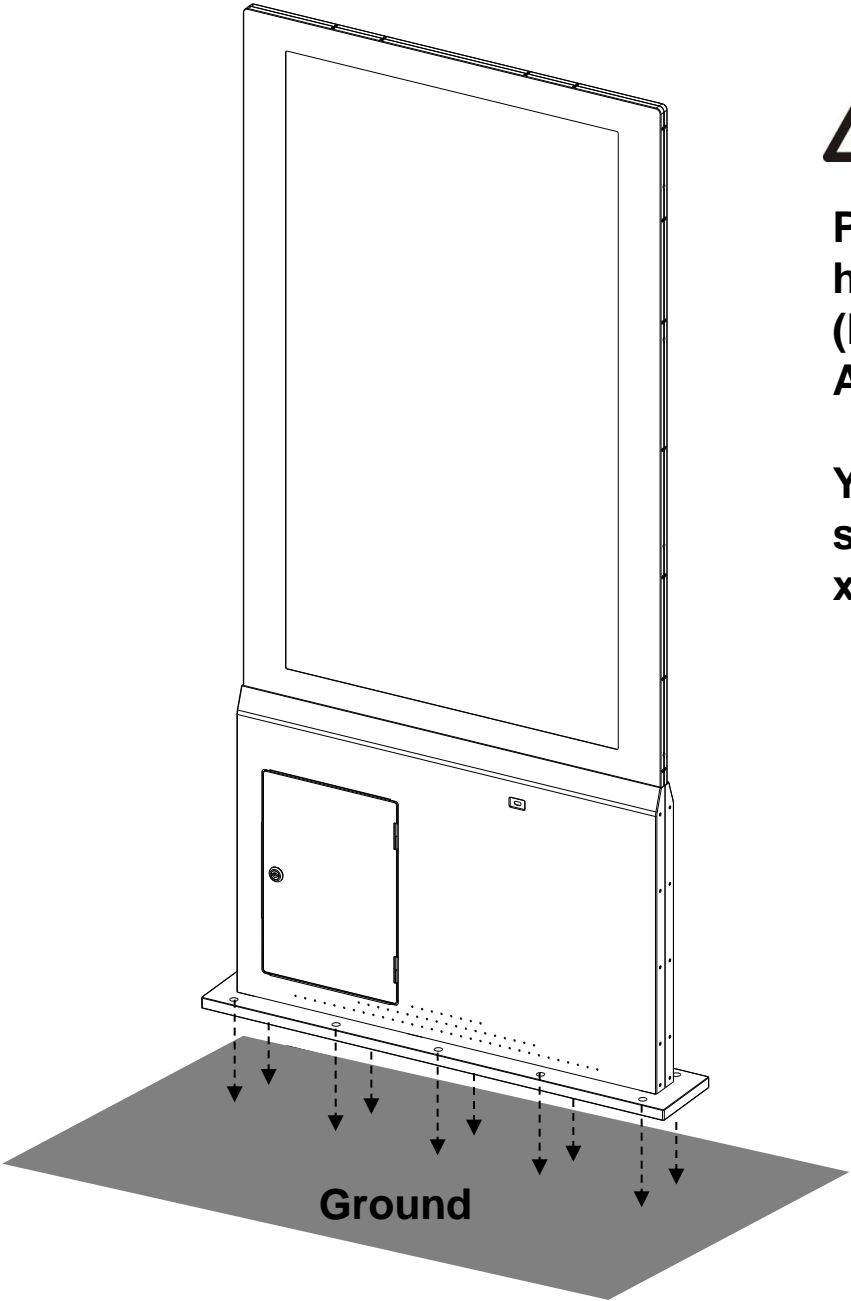
- For pluggable equipment, the socket-outlet shall be installed near the equipment and shall be easily accessible.

Installation Notes



Please make sure you have a solid installation. (Locks on the ground) As shown in the picture.

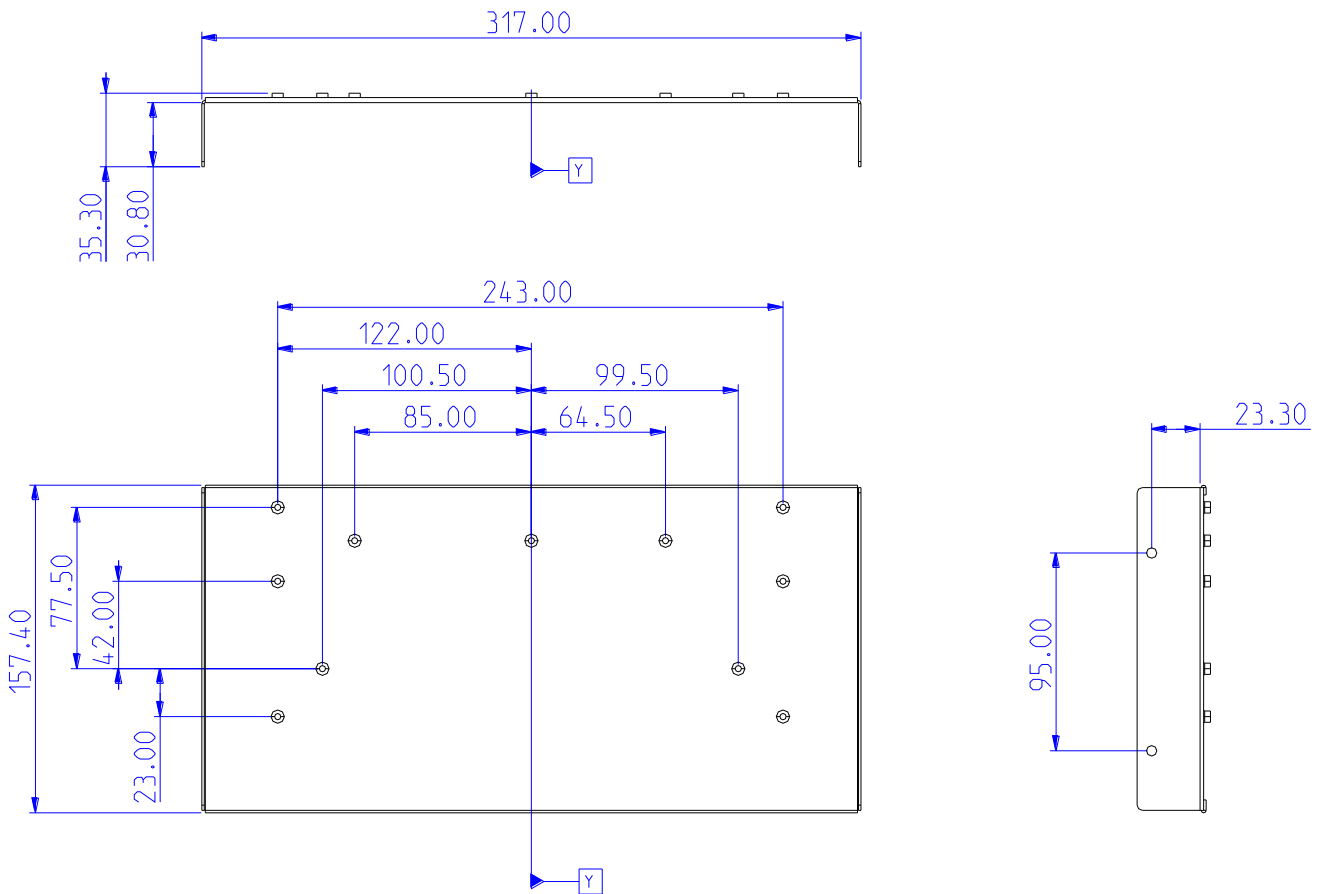
You can install Dual side display by screws x10(M6x20mm)



Installation Notes

IPC installation:

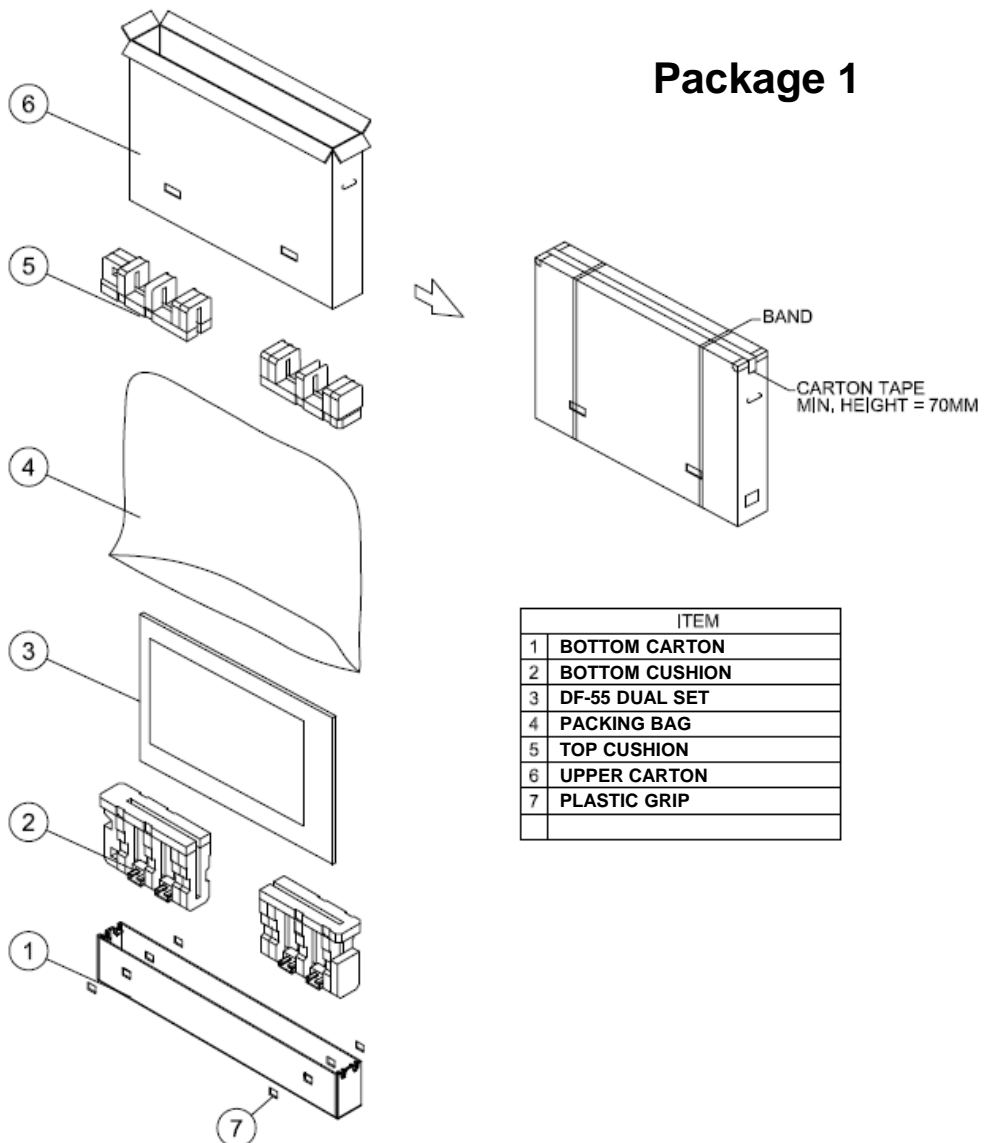
- Dual side display (DF-55) contains a plate metal, it is used to fix your IPC.
- The relative position of the screw holes is shown below. You can choose the fit screw holes to use.



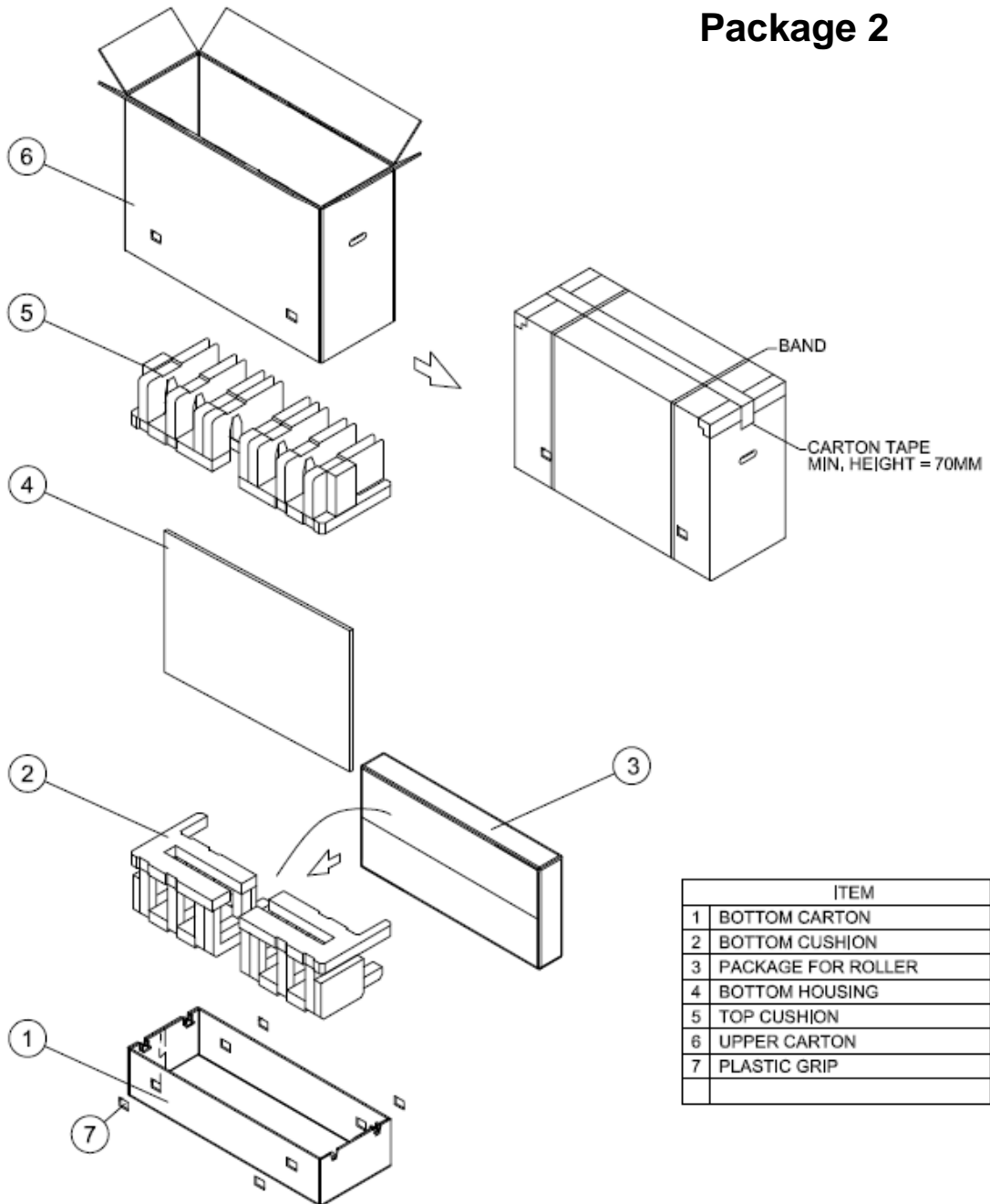
Package Content

Unpacking

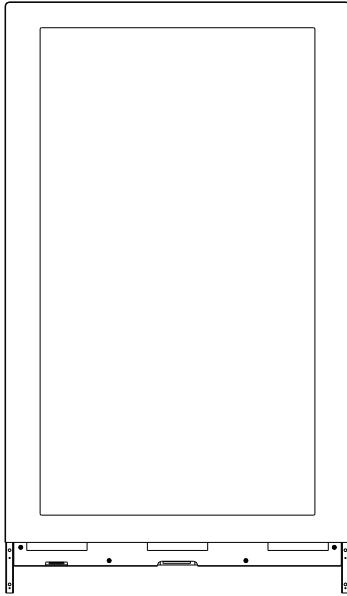
- This product is packed in a carton, together with the standard accessories.
- Due to the size and weight of this display it is recommended for two people to move it.
- After opening the carton, ensure that the contents are complete and in good condition.



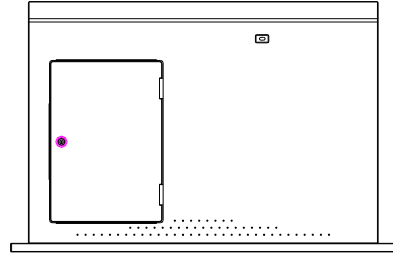
Package 2



Accessories



Dual Side Display (upside part : DF-55 dual set)



Dual Side Display (downside part : Bottom housing)



Power Cord x1



Key x1



M5x30mm screw x4

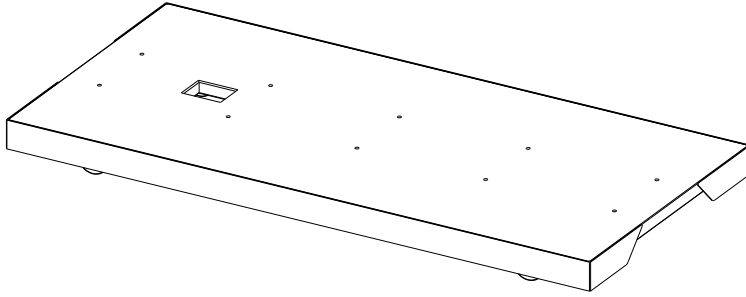


M6x20mm screw x10



Remote Controller x1 (Battery : CR 2025 3V)

Accessories



**Full Size Stand
(with wheels)**



M10x100mm screw x4

Overview

Top View



Front View



Side View



Back View



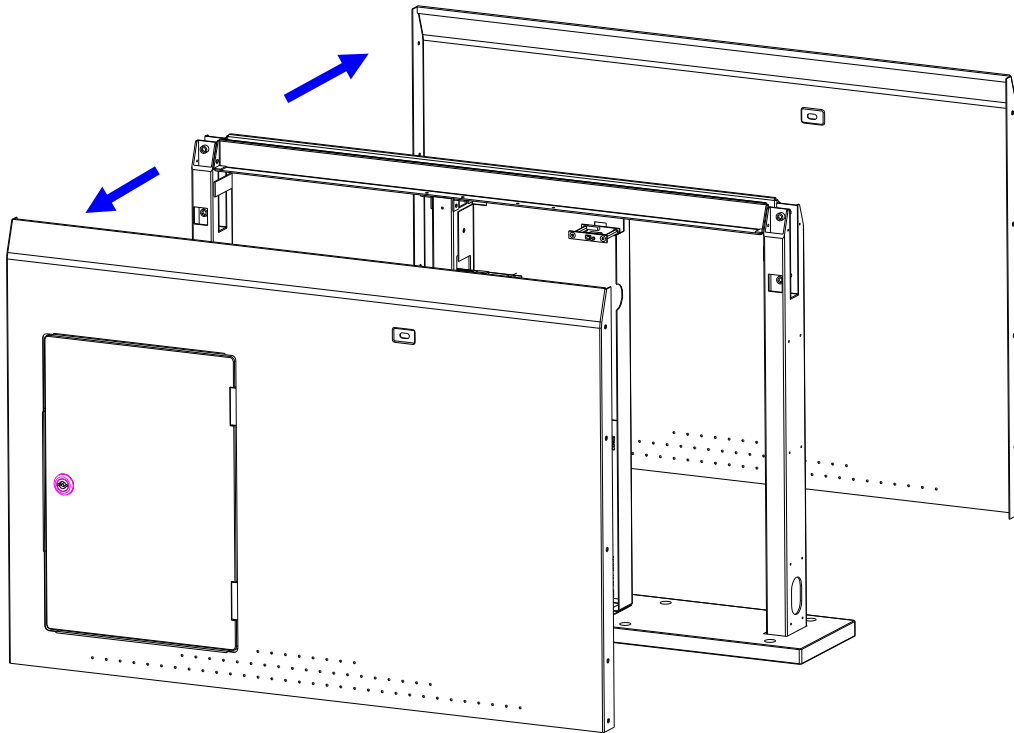
Overview



1. Display (Dual side)
2. Display Set
3. Remote control sensor (Dual side)
4. Stand (with use hole x 10)
5. Use Door (with locker)

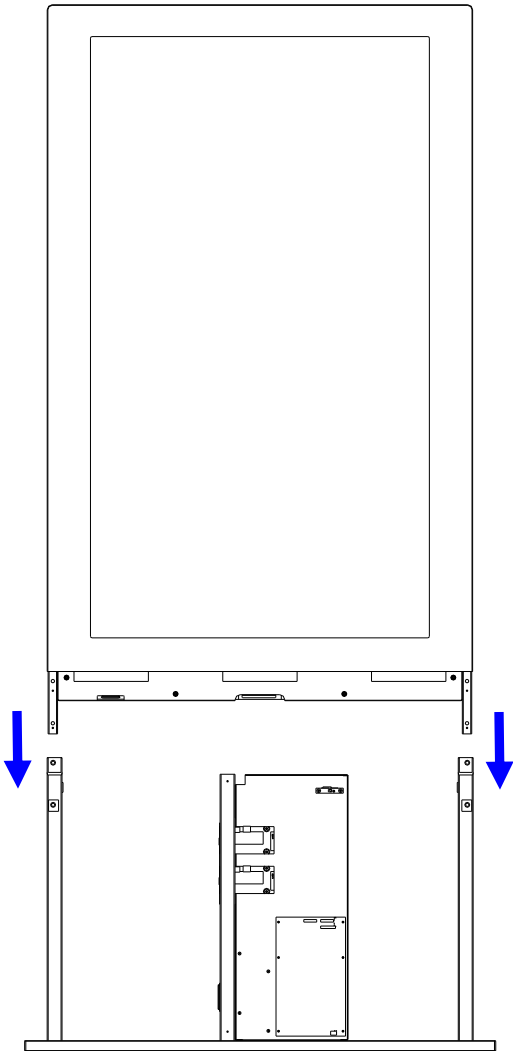
Setting Up The Display

Step1 : Tear down the downside covers

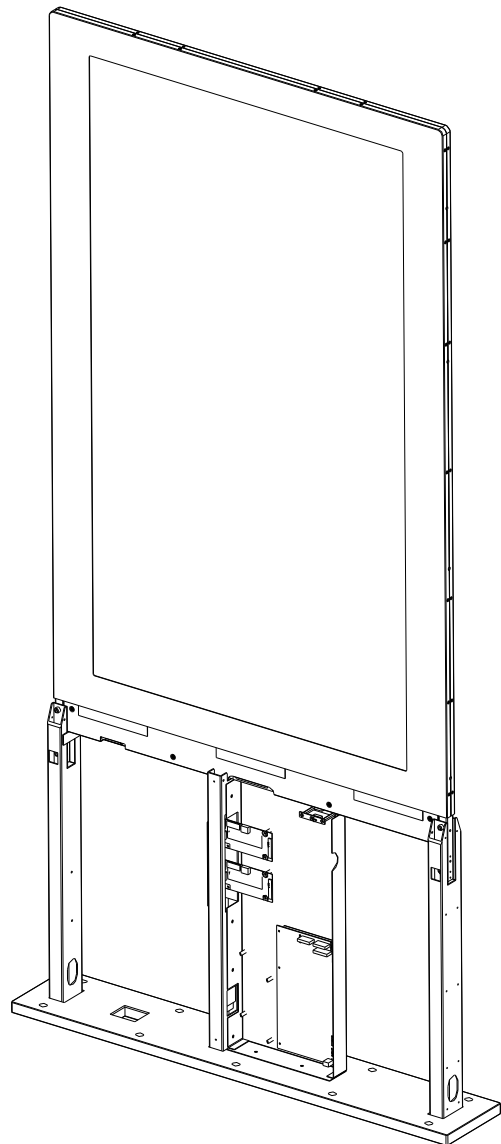


**Putting the down half part upside ,
and tear down the downside covers.
screws x 20 (M3x6mm)**

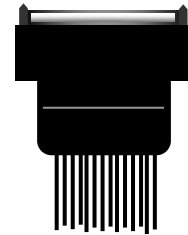
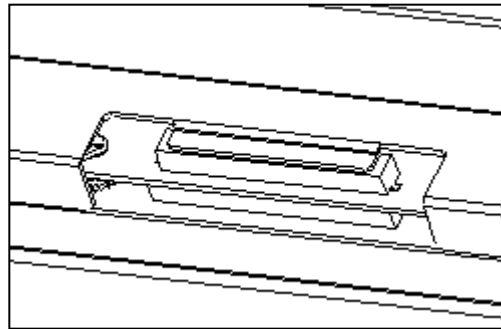
Step2 : Place the upside part into downside part



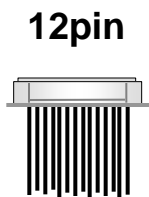
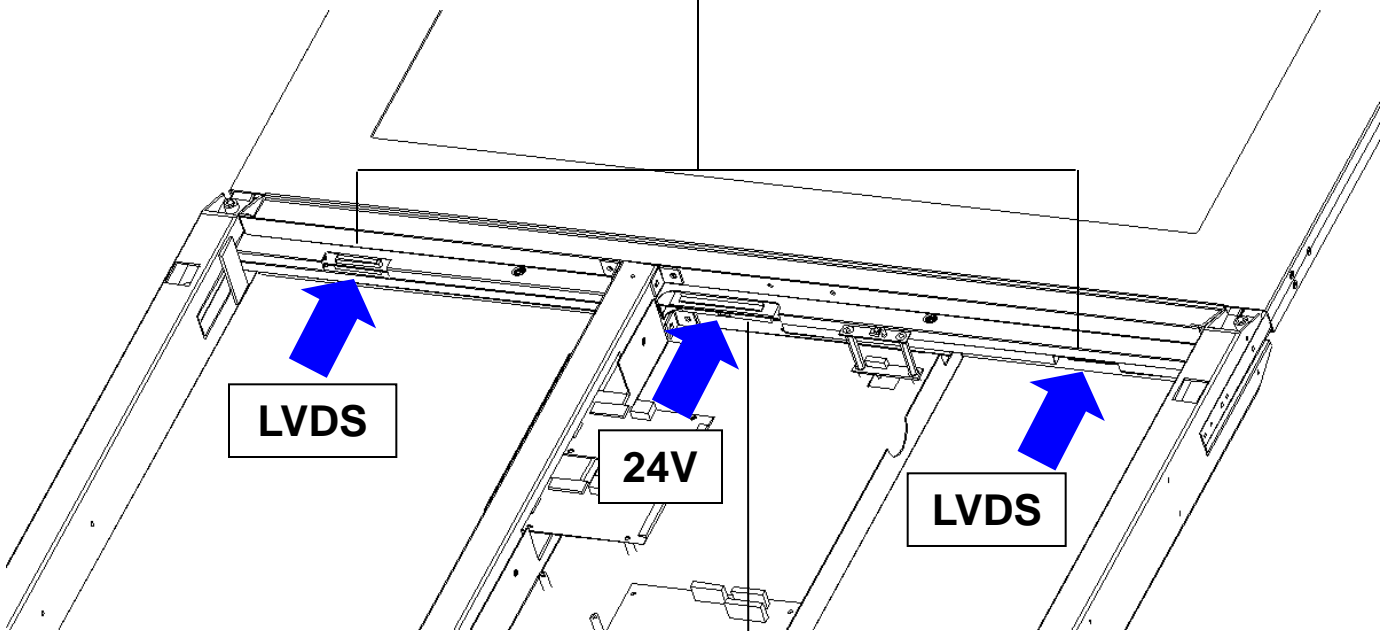
Place the upside part
into downside part
screws x 4 (M5x30mm)



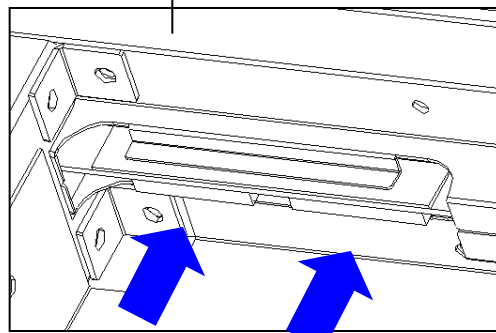
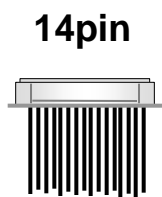
Step3 : Connect the LVDS and 24V



**LVDS
Connector**



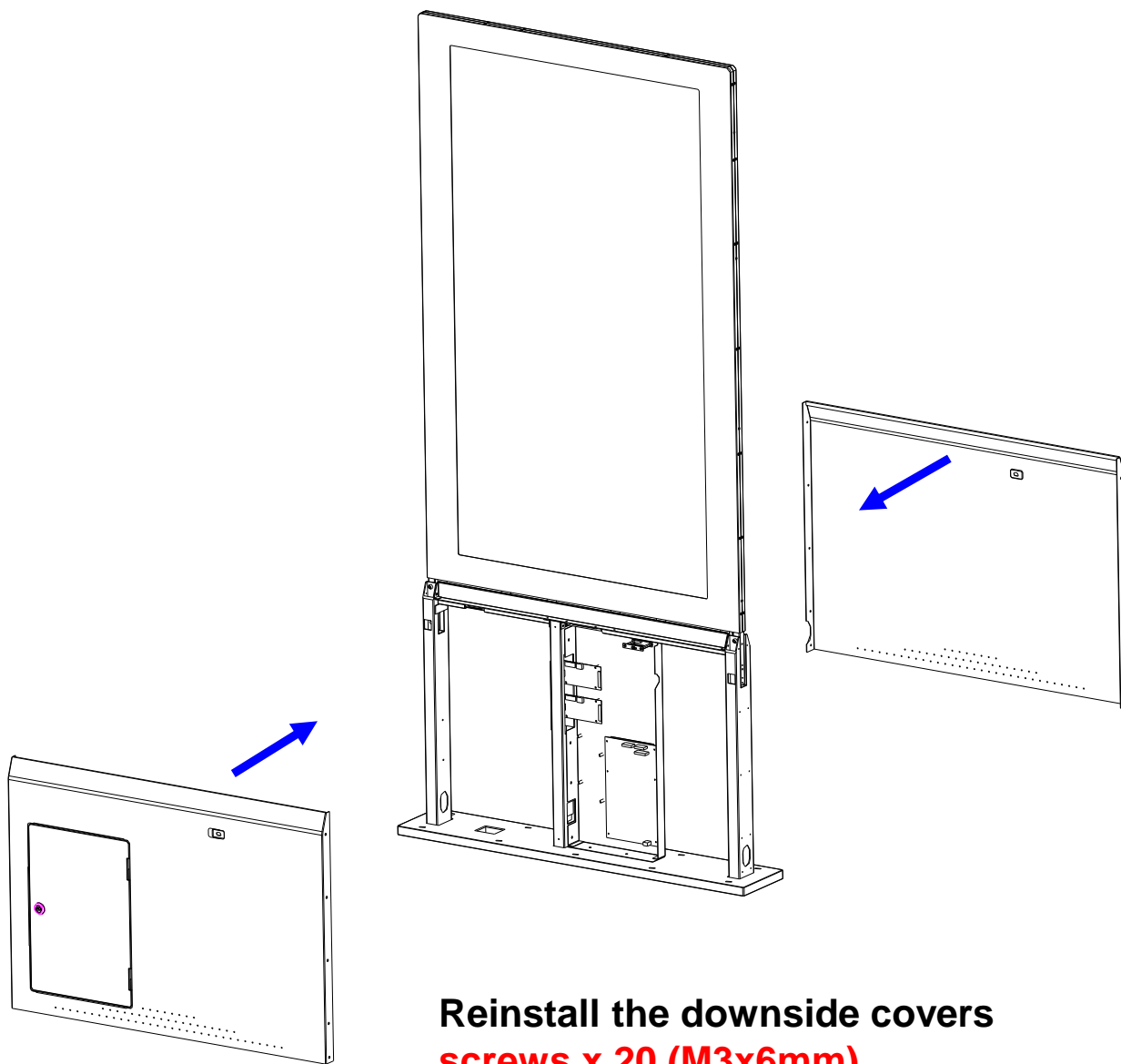
**24V
Connector**



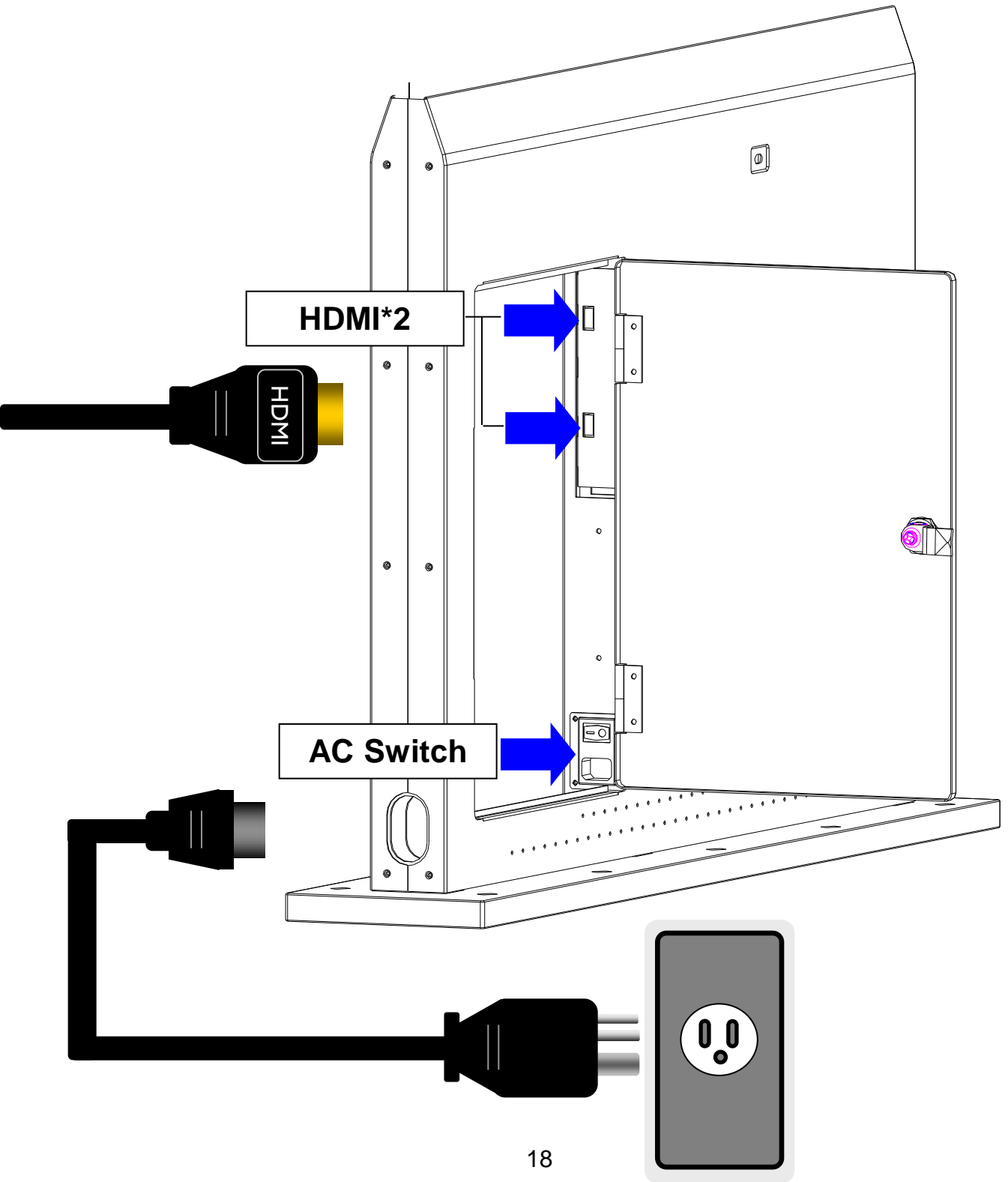
12pin

14pin

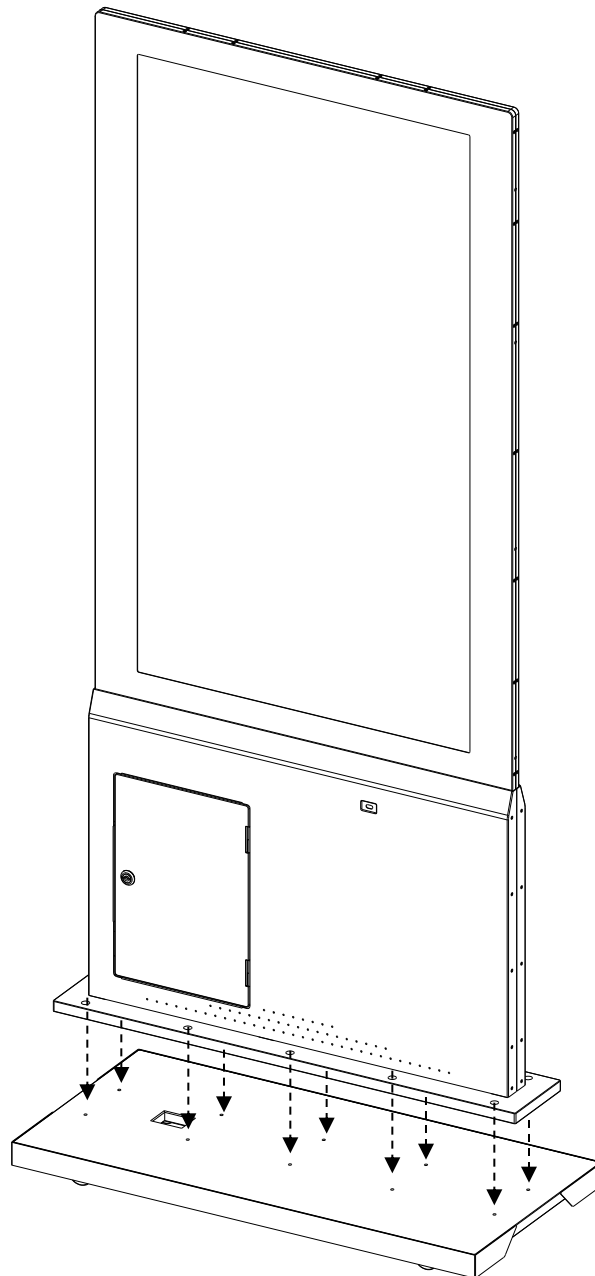
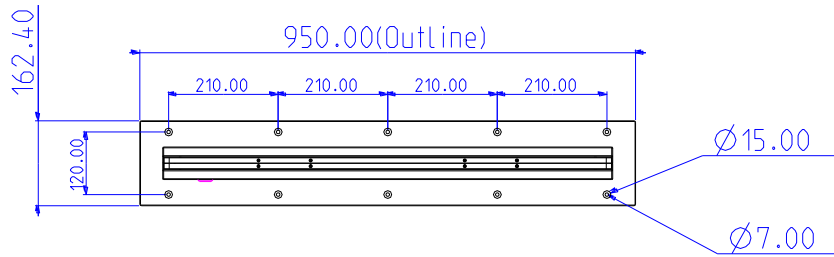
Step4 : Reinstall the downside covers



Step5 : Open the user door, Connect by HDMI connector & AC switch (power cord)



DF-55 Full Size Stand installation

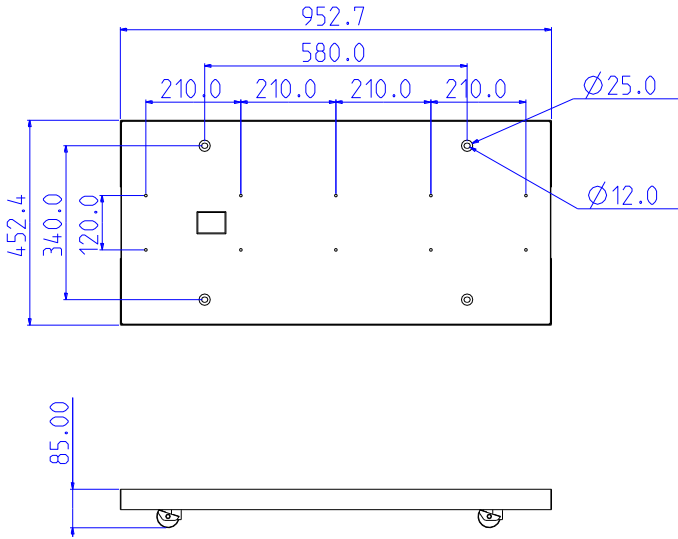


1

**Install the Full
Size Stand
(DF-55)**

**screws x10
(M6x20mm)**

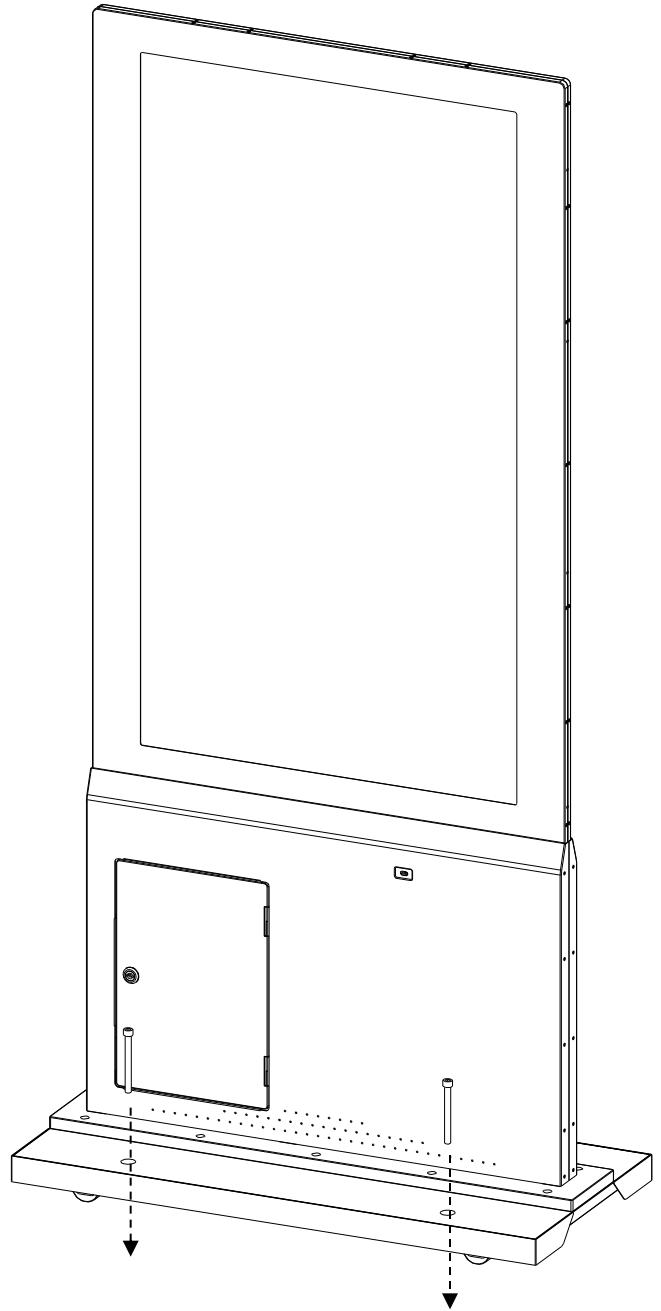




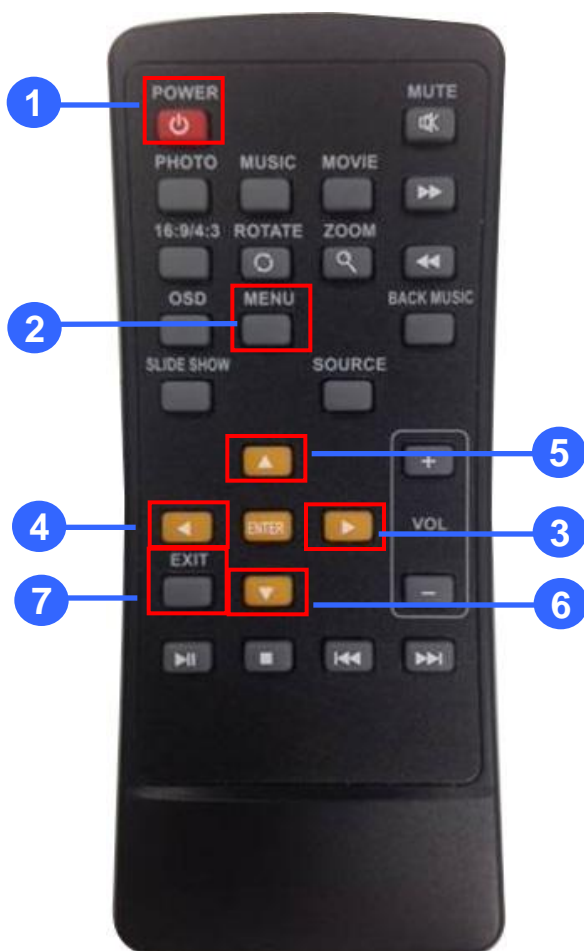
2

**Using screws to
secure the product on
the ground
(DF-55)**

screwsx4(M10x100mm)



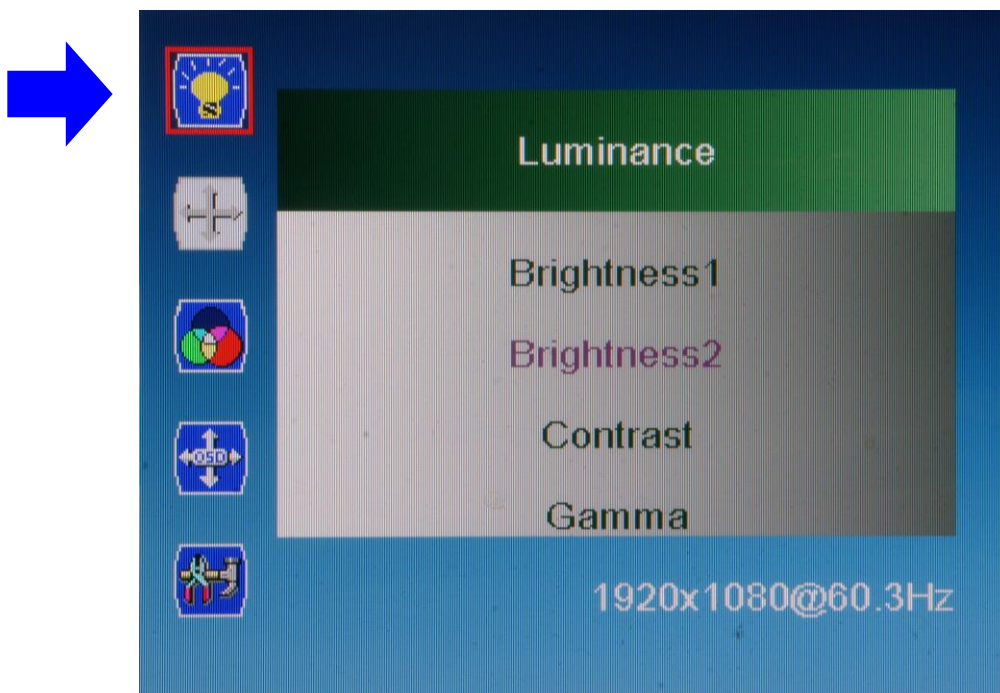
Using the Remote Control



No.	Key	Descriptions
①	Power	Power on/Power off
②	Menu	Into OSD module
③	▶	Menu Right
④	◀	Menu Left
⑤	▲	Menu Up
⑥	▼	Menu Down
	Exit	Menu/Exit selection

OSD Setting Menu

Press “MENU” into the OSD Setting Menu, and then press “UP” or “DOWN” to select the item, at last press “EXIT” to leave menu :



Luminance

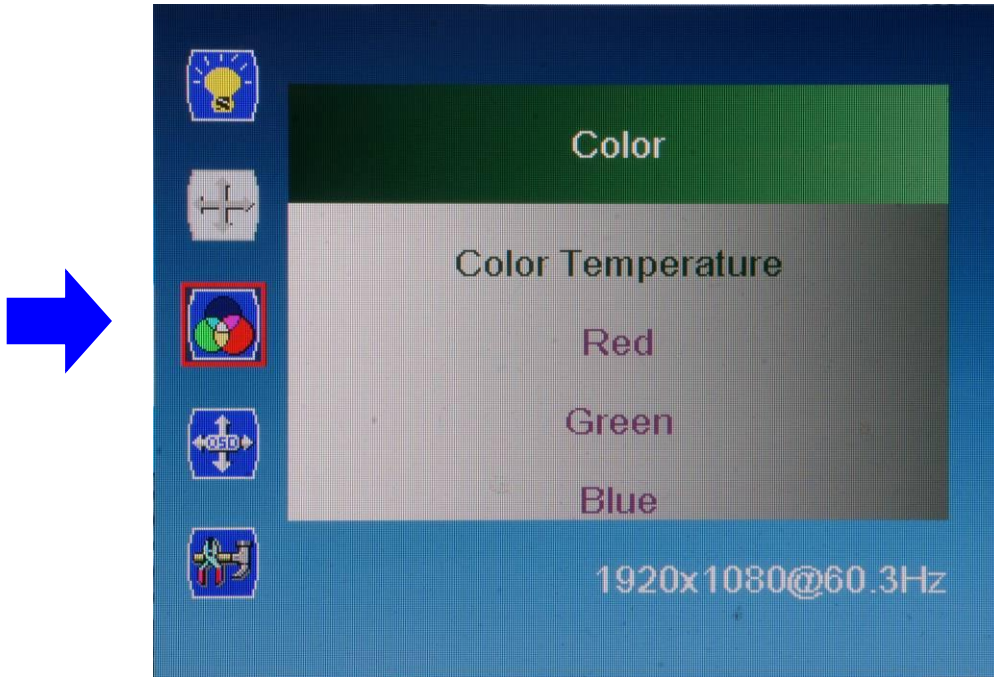
Press **MENU** to select one of the following, and then press “**RIGHT**” or “**LEFT**” to select the desired level,

---**Brightness1: Range: 0~100 ; Default: : 100**

---**Contrast: Range: 0~100 ; Default : 50**

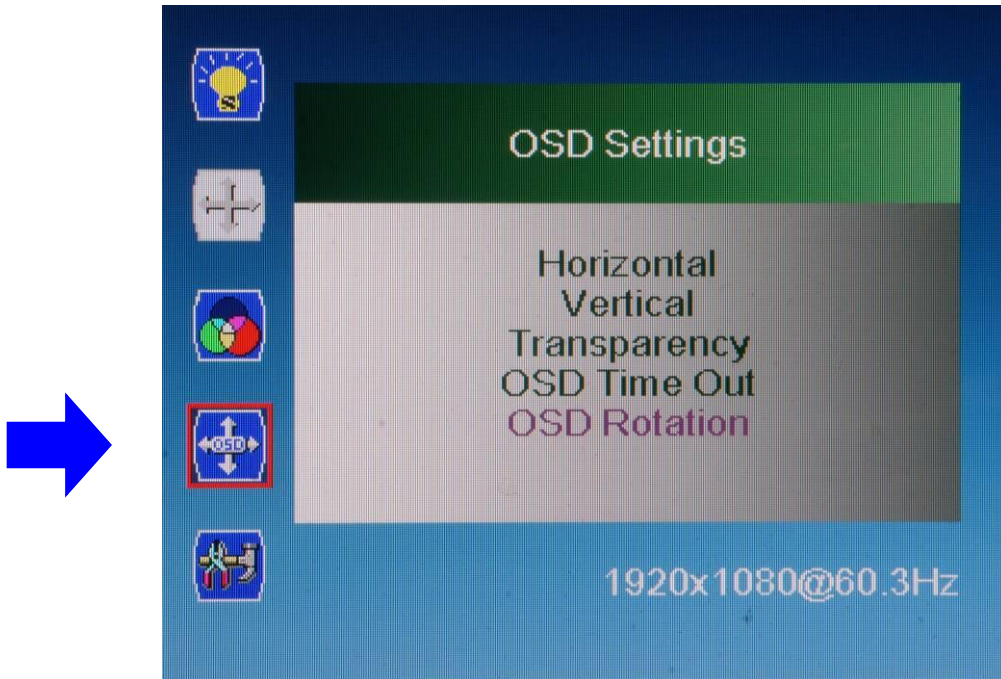
---**Gamma: Off / On ; Default : Off**

Press “MENU” into the OSD Setting Menu, and then press “UP” or “DOWN” to select the item, at last press “EXIT” to leave menu :



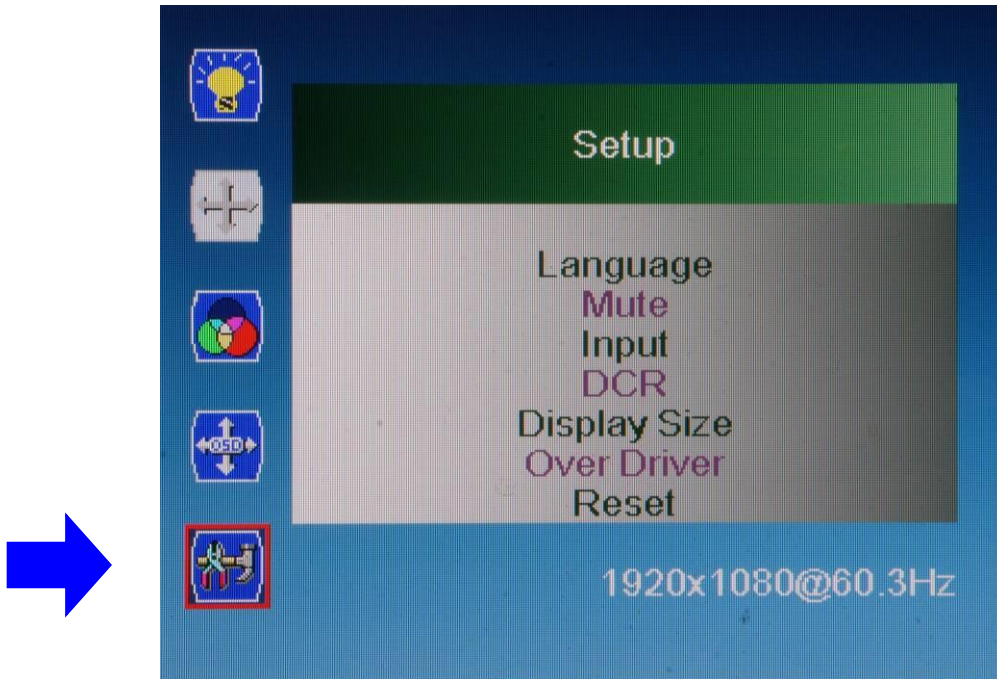
Color	<p>Press MENU to select one of the following, and then press “RIGHT” or “LEFT” to select the desired level,</p> <p>---Color Temperature: Range: 6500K, 9300K, 11500K, User Define ; Default: : 9300K</p> <p>If you choose the User Define, you can adjust red, green, blue gain and red, green blue offset;</p> <p>---Red: 0~100 ; Default : 70</p> <p>---Green: 0~100 ; Default : 70</p> <p>---Blue: 0~100 ; Default : 70</p>
--------------	---

Press “MENU” into the OSD Setting Menu, and then press “UP” or “DOWN” to select the item, at last press “EXIT” to leave menu :



<p>OSD Settings</p>	<p>Press MENU to select one of the following, and then press “RIGHT” or “LEFT” to select the desired level,</p> <p>---Horizontal: 0~100 ; Default : 50</p> <p>---Vertical: 0~100 ; Default : 50</p> <p>---Transparency: 0~4 ; Default : 0</p> <p>---OSD Time Out: 0~60 ; Default : 5</p>
----------------------------	---

Press “MENU” into the OSD Setting Menu, and then press “UP” or “DOWN” to select the item, at last press “EXIT” to leave menu :



<p>Setup</p>	<p>Press MENU to select one of the following, and then press “UP” or “DOWN” to select the item ,</p> <p>---Language: English / Español / Français / Deutsch / Italiano / Português / Русский / 简体中文 / 日本語 / 繁體中文 ; Default :English</p> <p>---Input: HDMI1 / HDMI2 ; Default :HDMI2</p> <p>---Display Size: Full Screen / Smart Fit / 4:3 / Smart4:3 ; Default : Full Screen</p> <p>---Reset: No / Yes ; Default : No</p>
---------------------	--

Trouble shooting

Symptom	Possible Cause	Remedy
No picture is displayed	<ol style="list-style-type: none"> 1. The power cord is disconnected. 2. The main power switch on the back of the display is not switched on. 3. The selected input has no connection. 4. The display is in standby mode. 	<ol style="list-style-type: none"> 1. Plug in the power cord. 2. Make sure the power switch is switched on. 3. Connect a signal connection to the display.
Interference displayed on the display or audible noise is heard	Caused by surrounding electrical appliances or fluorescent lights	Move the display to another location to see if the interference is reduced.
Color is abnormal	The signal cable is not connected properly.	Make sure that the signal cable is attached firmly to the back of the display.
Picture is distorted with abnormal patterns	<ol style="list-style-type: none"> 1. The signal cable is not connected properly. 2. The input signal is beyond the capabilities of the display. 	<ol style="list-style-type: none"> 1. Make sure that the signal cable is attached 2. Check the video signal source to see if it is beyond the range of the display. Please verify its specifications with this display's specification section
Display image doesn't fill up the full size of the screen	The zoom mode is not correctly set.	Use the Zoom mode or custom zoom function in the Screen menu to fine tune display geometry and time frequency parameter.
After-Images can still be seen on the display after the display is powered off.	A still picture is displayed for an over extended period of time.	Do not allow a still image to be displayed for an extended period of time as this can cause a permanent after-image to remain on the display.

Specifications – DF-55

LCD Display 55”	Model name	DF-55
	Screen size	55 inch (diagonal)
	Resolution	1920 x1080 (Pixel)
	Display Area	1209.6(H) x 680.4(V)
	Contrast Ratio	3000:1
	Brightness	450 nits / 450 nits
	View angle	178° (H); 178° (V)
	Color Gamut	72 (%)
	Surface Treatment	Haze 11%,3H
Input Connectivity	HDMI*2	
Power	Input	AC-110V 240V / 50Hz / 60Hz
	Power Consumption	230 W (typ.)
	Light source	LED
SET	Dimension	2030.7 x 862.2 x 23.4(U)/ 62.4(D) mm Stand: 452.4 x 950mm (Top view)
	Weight	100 KG
	Material	SECC
	Surface Treatment	Painting in Black color
Packing	Dimension	1609*176*968 mm (box1) 1068*400*735 mm (box2)
	Weight	103 KG
Environmental Conditions	Operating Temp.	0 ~ 40°C
	Operating Humidity	20% ~ 80%
Option	IPC	

Product Dimensions – DF-55

